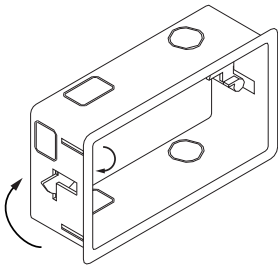


Accessory boxes and enclosures

Square and rectangular dry lining accessory boxes



Installation

Fitting

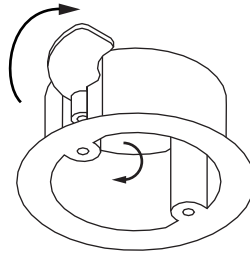
- Choose correct box for application and board depth and cut relevant size aperture in board for box (see table).
- Board should have sufficient strength to support the accessory.
- Remove knockout(s) and pass cables into box. Insert box into aperture and swivel out lugs using internal fins (if fitted) to hold box in position.
- Terminate accessory and, using accessory fixing screws, draw in the lugs, clamping box securely to the board.
- For easy identification the lugs are colour-coded to denote board thickness on standard boxes:

Lug Colour	Adjustment
Grey	1 – 9mm
White	6 – 14mm
Green	18 – 25mm
Black	9 – 26mm

Cut out dimensions

Box type	Cut out size
1 gang	73 x 73mm
2 gang	135 x 73mm
Dual gang	157 x 73mm

Circular dry lining accessory boxes



- Choose correct box for application and board depth and cut relevant size aperture in board for box (see table).
- Board should have sufficient strength to support the accessory.
- Remove knockout(s) and pass cables into box. Insert box into aperture and swivel out lugs using internal fins, if fitted, to hold box in position.
- Terminate accessory and, using accessory fixing screws, draw in the lugs, clamping box securely to the board.

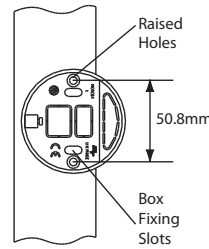
Lug Colour	Type
White	Single entry box
Red	Dual entry box

Note: Ceiling mounted circular boxes can support 3kg centrally at 60°C maximum subject to ceiling construction.

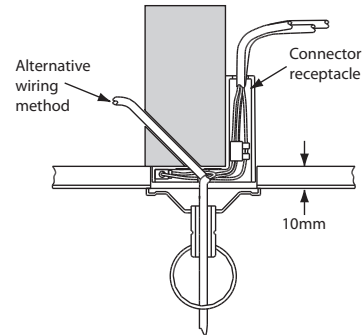
- For easy identification the lugs are colour-coded to denote type of box:

	Single entry	Dual entry
Board thickness	9-32mm	9-32mm
Entry	Ø20mm x 1 off KO	Ø20mm x 2 off KO
Aperture size	Ø63.5mm	Ø70.0mm
Internal depth	34mm	34mm
Fixing centres	M3.5 x 50.8mm	M4.0 x 50.8mm M3.5 x 60.3mm

Ceiling connector box



THE PRODUCT DOES NOT SUPPORT THE ELECTRICAL FITTING



- Prior to installation, confirm medium is capable of supporting load.
- Feed cables through the appropriate knockouts.
- Fix box with two suitable screws through the two 5mm slots provided.
- Terminate all wires with suitable connectors and insert into receptacle in box.
- Place cover of fitting over box and secure with two No.8 screws into the load bearing medium through the two 5mm raised holes provided.

	Ceiling connector
Board thickness	10mm
Entry	3 off KO
Aperture size	Ø65mm
Internal depth	8/65mm
Fixing centres	50.8mm unsupported

Moulded enclosures Adaptable boxes

Adaptable boxes as supplied, have a degree of IP66 protection. Any openings that are drilled or cut the box body and are not sealed with appropriate IP66 components or a failure to use the silicon rubber seal fitted, will negate the IP66 rating.