

Series 1 Double sided PowerPole

Code	Description	Quantity
PP36001	250mm adj. slide incl	1 pack
A	NPPFB2 Fixing Bracket	1
B	PHAS1 Adjusting Slide	1
C	PPSN1 Sliding Nut	3
D	PPTC1 Top Cover (white only)	1
E	PL1 Lid 3600mm	2
F	PPMB1 Pole 3600mm	1
G	ESSB1 Single Gang Box	6
I	PPBF3 Base Foot (Metal)	2
J	PPBF1 Base Foot (white only)	1
K	ES1 Spacing Cover	5
L	PPBT1 16mm Bonding Terminal Ass.	1
PPF1KIT	#Fixing Kit	1

Accessory Kits

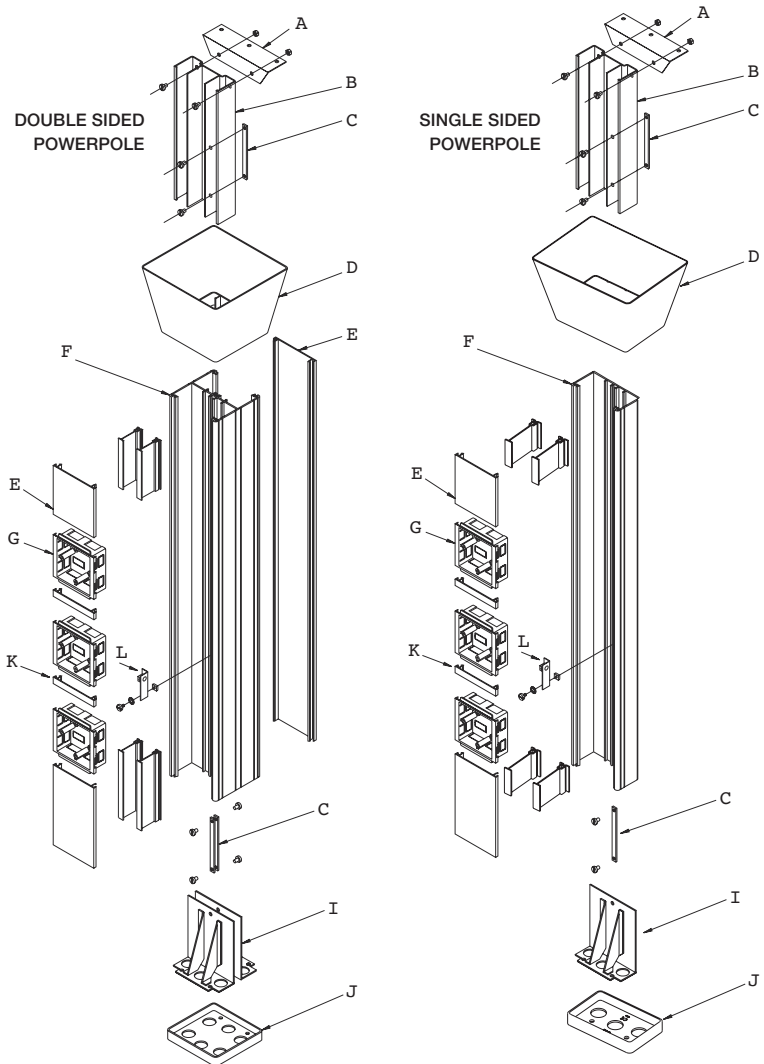
Accessory kits are available to order using the code PPAKIT and include the items within the above table marked in bold text.

Full installation instructions are included within each pack.

PPF1KIT Fixing Kit includes the following items:

- 8 x M5x8 slotted pan head steel m/c screws
- 6 x M5 internal tooth steel lock washers
- 2 x M5 Nyloc Nut

1400mm Extension Pole body kits available to increase Pole height to 5.0m.



Series 1 Single sided PowerPole

Code	Description	Quantity
PPS36001	250mm adj. slide	1 pack
A	NPPFB2 Fixing Bracket	1
B	PHAS1 Adjusting Slide	1
C	PPSN1 Sliding Nut	2
D	PPTC2 Top Cover (white only)	1
E	PL1 Lid 3600mm	1
F	PPSS1 Single Sided Pole 3600mm	1
G	ESSB1 Single Gang Box	6
I	PPBF3 Base Foot (Metal)	1
J	PPBF4 Base Foot (white only)	1
K	ES1 Spacing Cover	5
L	PPBT1 16mm Bonding Terminal Ass.	1
PPF1KIT	#Fixing Kit	1

Accessory Kits

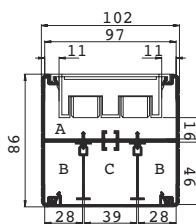
Accessory kits are available to order using the code PPAKIT2 and include the items within the above table marked in bold text.

Full installation instructions are included within each pack.

PPF1KIT Fixing Kit includes the following items:

- 8 x M5x8 slotted pan head steel m/c screws
- 6 x M5 internal tooth steel lock washers
- 2 x M5 Nyloc Nut

Dimensions and cable capacities



Double sided PowerPole

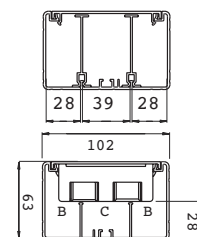
A = 2017 sq mm total area
45% space factor = 907 sq mm.

Without Accessory Box

A = 4284 sq mm total area
45% space factor = 1927 sq mm.

B = 1148 sq mm total area
45% space factor = 516 sq mm.

C = 1547 sq mm total area
45% space factor = 696 sq mm.



Single sided PowerPole

B = 1115 sq mm total area
45% space factor = 502 sq mm.

C = 1119 sq mm total area
45% space factor = 504 sq mm.

Adjusting slide for PowerPoles

*PowerPoles are suitable for both solid and suspended ceilings up to 3.6 metres high. An alternative adjusting slide which can be extended to one metre is available for additional heights within the ceiling void (part code PHAS2).



Series 2 PowerPole

Double sided PowerPole

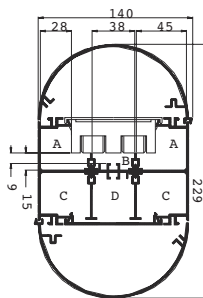
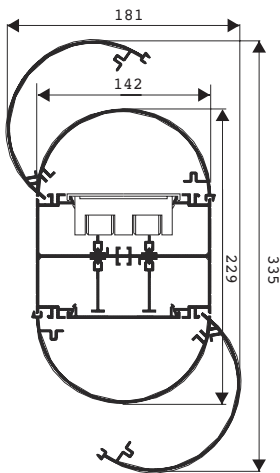
with 4 hinged lids and 14 ESSB1WH outlets (NPPE36001441)

Code	Description	Quantity
FF	NPPMB3600A/W# Square PowerPole base 3600mm long	1
A	NPPHLA/W# Hinged lid assembly	4
P	NPPCL1720A/W# Clip on lid 1720mm long	2
Q	NPPCL50A/W# Clip on lid 50mm long	2
R	NPPCL200A/W# Clip on lid 200mm long	2
J	NPPUT Hinged lid upper trim	4
K	NPPLT Hinged lid lower trim	4
GG	NPPTC3 Oval top sliding cover	1
HH	NPPBF5 Oval base foot	1
B	NPPBH1 Bulkhead	8
II	PPBF3 Base foot (galvanised)	2
E	NPPCC1 Cable clip	8
C	ESSB1 Single gang box	14
D	ES1 Spacing cover	12
F	NPPH1 Stainless steel hinges	8
I	PPSN1 Sliding nut	3
H	NPPLH1 Disc latch	12
M	NPPMC1 Magnet catch	12
G	NPPLBS1 Hinged lid bonding strap	4
LBS2	Clip on lid bonding strap	6
L	PPBT1 16mm bonding terminal assembly	1
S	PHAS1 Top adjusting slide 250mm long	1
T	NPPFB2 Top fixing bracket	1
W	MDFS100W1630 100mm dividing fillet 1630mm long	4
Y	MDFS50W710 50mm dividing fillet 710mm long	4
Z	MDFS50W200 50mm dividing fillet 200mm long	4
AA	MDFS15W632 15mm dividing fillet 632mm long	4
JJ	MDFS50W175 50mm dividing fillet 175mm long	4
V	ETL1W633 Sterling lid 633mm long	2

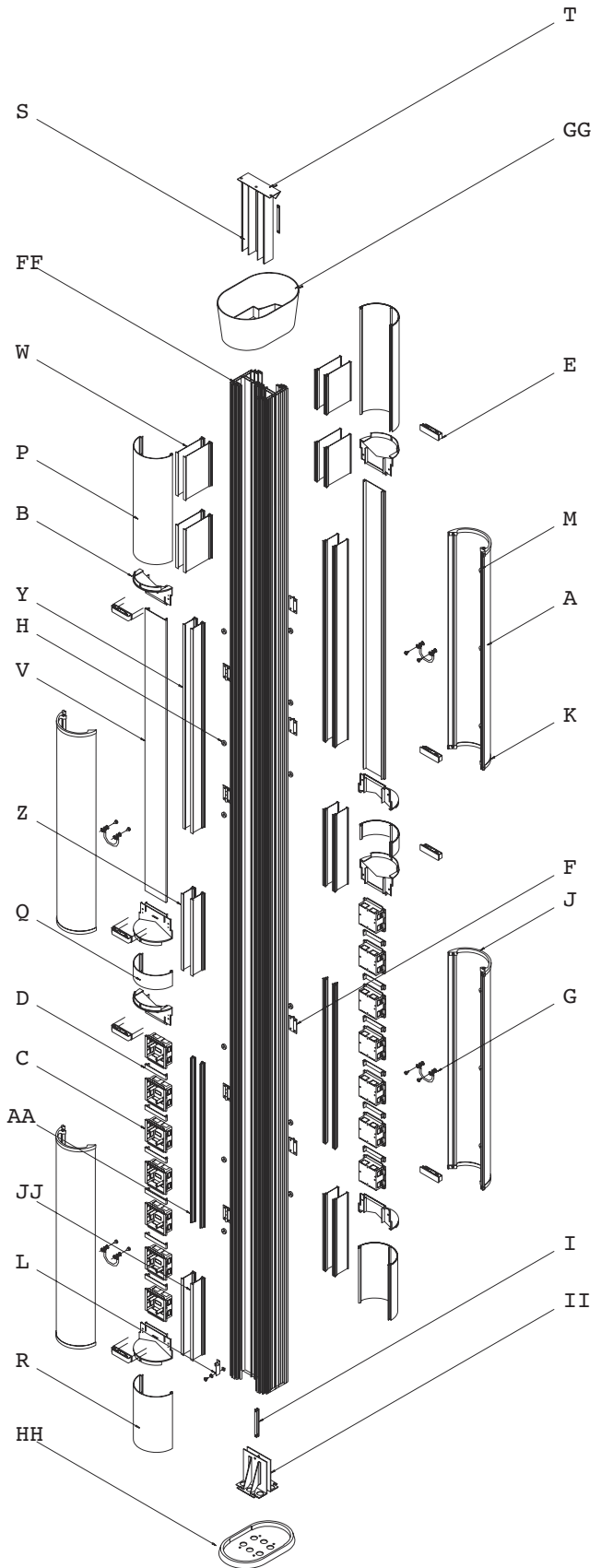
#Please use A or W to denote anodised or white

Full installation instructions are included within each pack.

Dimensions and cable capacities



- A = 1313 sq mm total area
45% space factor = 591 sq mm.
- B = 505 sq mm total area
45% space factor = 227 sq mm.
- C = 1798 sq mm total area
45% space factor = 809 sq mm.
- D = 1628 sq mm total area
45% space factor = 733 sq mm.



TECHNICAL INFORMATION

p187
Product Information

Series 1 Double sided PowerPost

Code	Description	Quantity
PP685		1 pack
A	PPC1 Cap	1
B	PL2 Lid	2
C	PPMB2 Post	1
D	ESSB1 Single Gang Box	6
E	PPSN1 Sliding Nut	2
F	PPBF3 Base Foot (Metal)	2
G	PPBF1 Base Foot (white only)	1
H	ES1 Spacing Cover	5
L	PPBT1 16mm Bonding Terminal Ass.	1
PPF2KIT	#Fixing Kit	1

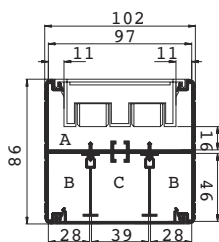
The standard height of the PowerPost is 685mm and the overall height, including cap and base, is 692mm.

Full installation instructions are included within each pack.

PPF2KIT Fixing Kit includes the following items:

- 5 x M5x8 slotted pan head steel m/c screws
- 4 x M5 internal tooth steel lock washers
- 1 x M5 Square (8x8x4) pressed steel nut

Dimensions and cable capacities



A = 2017 sq mm total area
45% space factor = 907 sq mm.

Without Accessory Box

A = 4284 sq mm total area
45% space factor = 1927 sq mm.

B = 1148 sq mm total area
45% space factor = 516 sq mm.

C = 1547 sq mm total area
45% space factor = 696 sq mm.

