

MARSHALL-TUFFLEX

Circular Accessory Box (MCMR20WH)

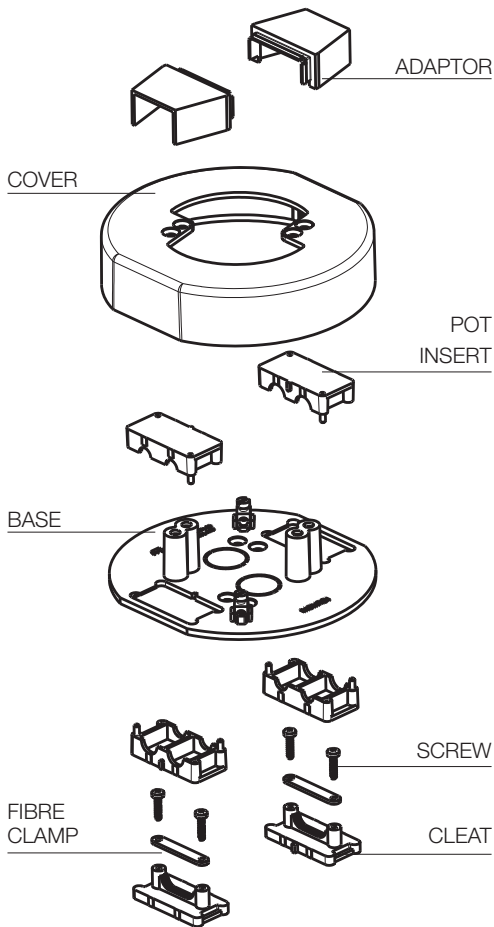


UK OWNED
UK MANUFACTURER

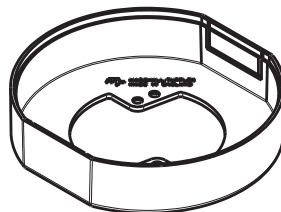


INSTALLATION INSTRUCTIONS

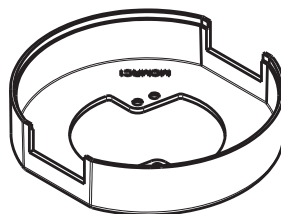
PACK CONTENT



1. Remove required knockouts using appropriate tool such as a safety knife.



2. Deburr edges of cut-out



3. Fit adaptor(s)

