

MARSHALL-TUFFLEX

In-Screed Service Box



UK OWNED
UK MANUFACTURER



INSTALLATION INSTRUCTIONS

In accordance with current IEE wiring regulations, assembly and connection is to be carried out by a qualified skilled Electrician.

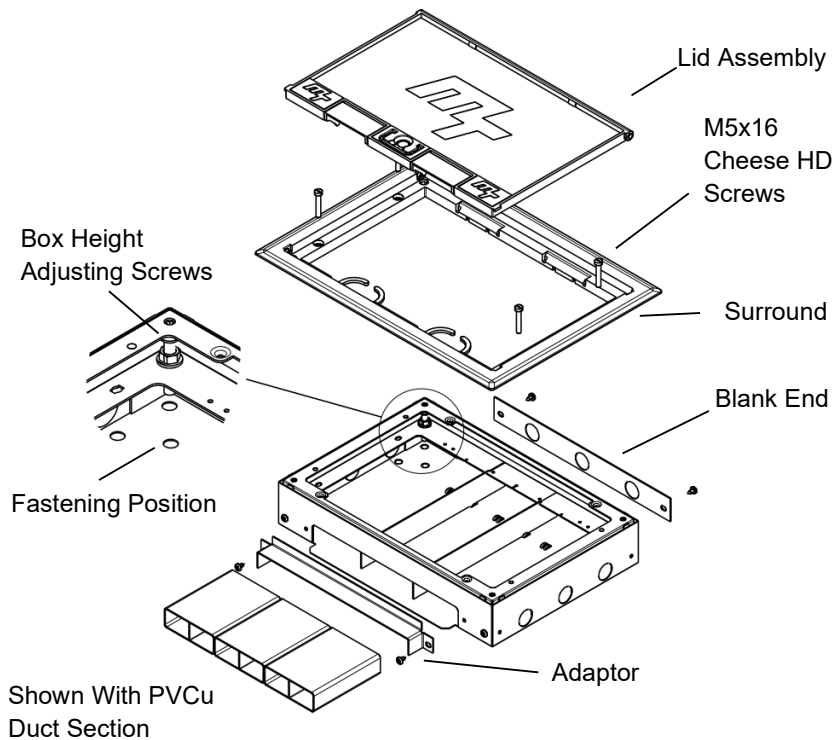
IMPORTANT

Planning the layout is essential as alterations are impossible once screed is laid

Standard system is suitable for screed depths of 65mm to 85mm.

For other screed depths please Contact the Technical Team on +44 (0)1424 856688 or via E-mail at technical@marshall-tufflex.com

1. Boxes should be placed in the correct orientation and the fixing holes marked for drilling.
2. Drill holes for fixing. Replace box, loosely fix to floor. Adjust height to finished floor level using box adjusting screws. Secure box to floor.
3. Install screeded floor ducting (or conduit) using adaptor or blank end.
4. After the screeded floor has been laid, install relevant cabling.
5. Terminate accessories and fasten plates into box with screws supplied.
6. Cut surrounding carpet to suit box and aperture. Retain cut piece for lid recess.
7. Cut and fit carpet to lid. Reassemble lid and surround. Fix to box using supplied M5x16 metal screws, fixing to sub-frame pre-tapped holes.
8. On completion, initial testing may now be carried out in accordance with current IEE Wiring Regulations.



Box screed depth adjustment

