

MARSHALL-TUFFLEX

Underfloor Powertrack

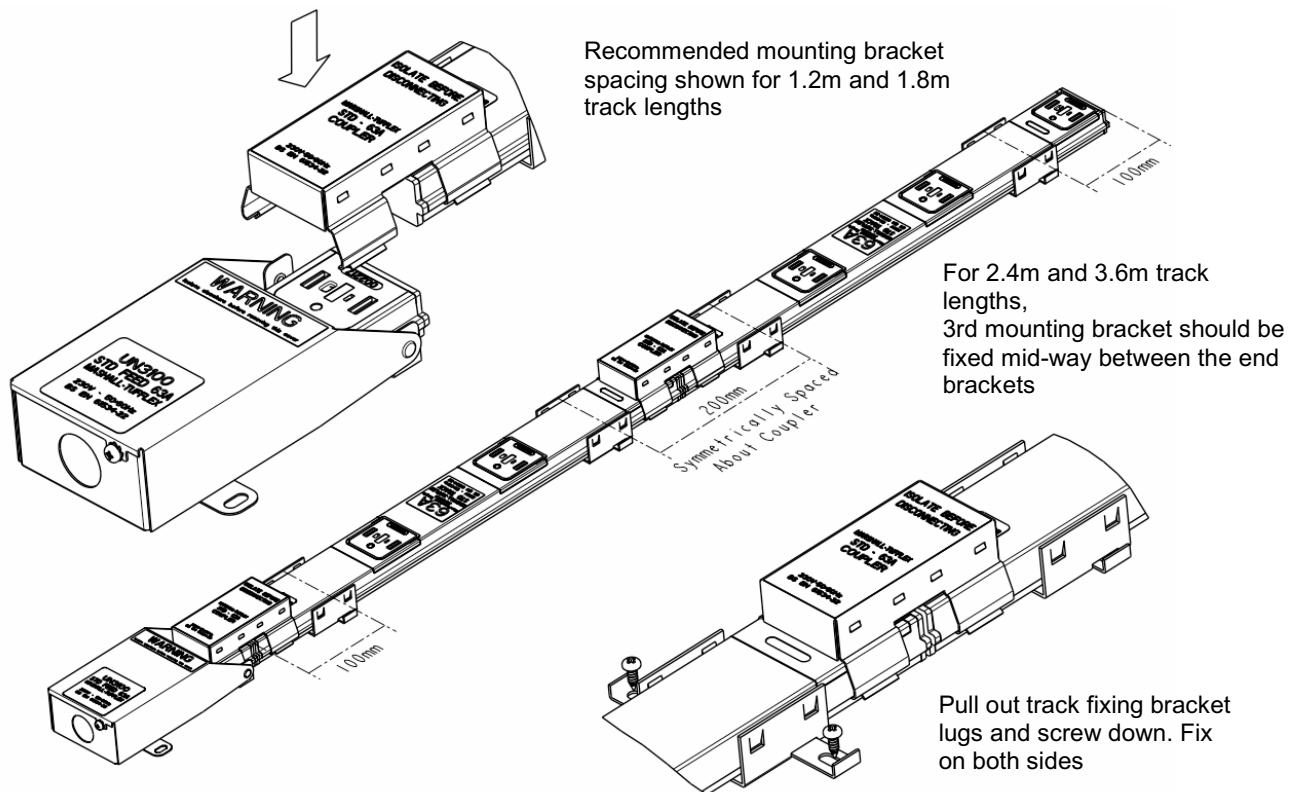


UK OWNED
UK MANUFACTURER



INSTALLATION INSTRUCTIONS

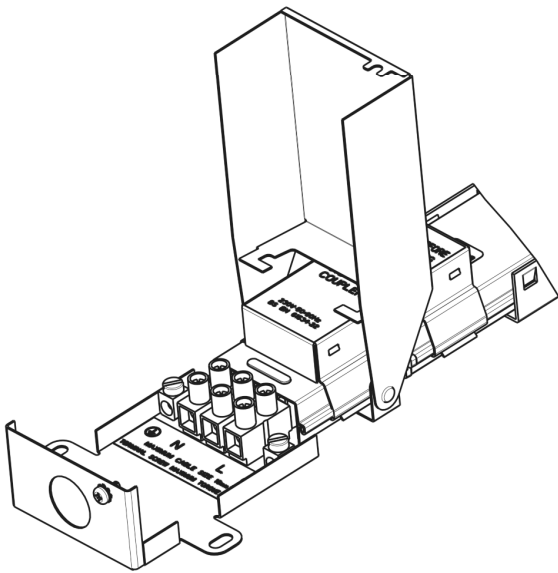
Note: In accordance with current IEE wiring regulations, assembly and connection is to be carried out by a qualified electrician or other skilled person.



For Horizontal Floor Mounting

- Lay out track lengths and feed unit as required to suit final assembly
- Position and secure the feed unit in place
- Carefully engage the first track length on to the feed unit socket
- Ensure the clip action is secure at the coupler & and unit feed also that alignment is correct in laying the track length to the floor
- Secure the track length in place along its length at recommended
- spacing shown above using the brackets provided
- Additional track lengths can now be placed as above.
- Ensure the assembly is secure and prepare to make electrical connections

Under Floor PT System Classification	
Normal Voltage	230 V
Frequency	50/60 Hertz
Rated Current	63A max
System for Very Heavy Impact	20 J
Degrees of protection provided by enclosures according to IEC 60529	IP2XC
Degree of Pollution	2
Impulse Withstand Voltage	4000V
Conditional Short Circuit Rating	16 kA
Min / Max Feed Unit Terminal Capacity	1x 10mm ² min 1x 16mm ² max



- Open the feed unit cover by releasing the retaining screw
- A 25mm diameter knockout is provided in the feed unit end to allow fixing of a gland termination –Gland must be fitted to protect conductor sheath.
- Prepare cables for termination observing correct polarity in to terminals provided, guidance is provided in the base of the feed unit
- Power cable terminations should be tightened to a maximum of 1.8Nm.

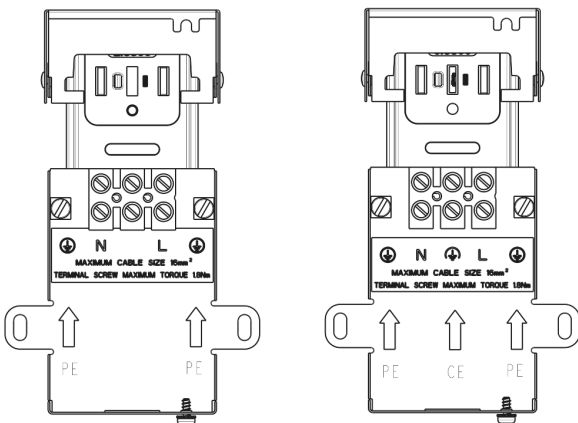
IMPORTANT

Isolate the circuit supply wiring at the distribution point.

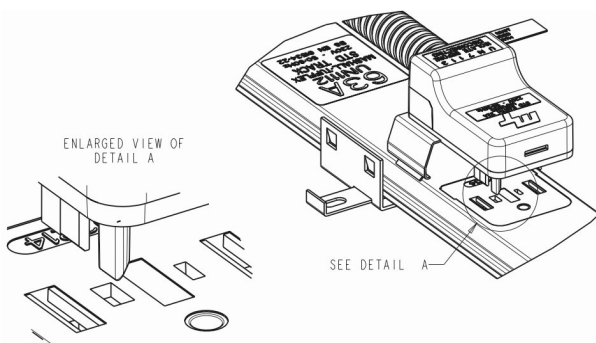
The Circuit must be protected by a suitably rated fuse or circuit breaker in accordance with IEE Wiring regulations.

Tap-off units are not intended to be connected or disconnected when the system is engaged.

- For standard GREY installations the earthing cable can be fixed at either brass terminal positioned in the base unit.
- For clean earth RED installations the earthing must be connected as follows:
 - a) The standard earth PE can be fixed at either brass terminal positioned in the feed end unit.
 - b) The clean earth CE will only be fixed in to the centre insulated connector as the product markings.
- Neutral and live phase connections can now be terminated using guidance provided in the feed end base unit.
- On completion, initial testing may now be carried out in accordance with current IEE Wiring regulations.
- Tap off leads will only plug in to the busbar socket in one axis. Identify the correct axis by confirming the keyway footprint on to the tap off lead plug. (See illustration for clarification)
- Align and offer up the tap off plug at the correct orientation
- **Warning** Extend metal flexible conduit to its full length before terminating cables.
- Press firmly down to pierce through the dust cover so the phase and earth mechanisms engage and the locating pins engage at the margins of the socket plate. The earth saddle will now be in place at the busbar rim on both sides of the busbar assembly. Ensure that plug is fully inserted.



When testing is complete and satisfactory ensure that the feed unit cover is in place and secured by the screw provided. Power can now be applied to the system and final testing can now be carried out



Important Note:

Tap off leads are supplied with busbar plugs colour coded grey or red to suit the compatible track. The free end of the tap off lead can be supplied with a plug end as MT32 of similar. Alternatively the provision of tails for hard wiring to a floor box or accessory by others. All connections and appropriate satisfactory testing must be completed prior to plugging the tap off lead on to the powered down busbar frame

Please Note:

Free End Tap-Offs: STD tap-offs are supplied with Brown (live), Blue (Neutral) and Earth (Green/Yellow) cables, CE tap-offs have an additional (Black) cable. This is identified as an earth connection with a Green/Yellow sleeve and CE label.