

MARSHALL-TUFFLEX

Raised Floor Box



UK OWNED
UK MANUFACTURER



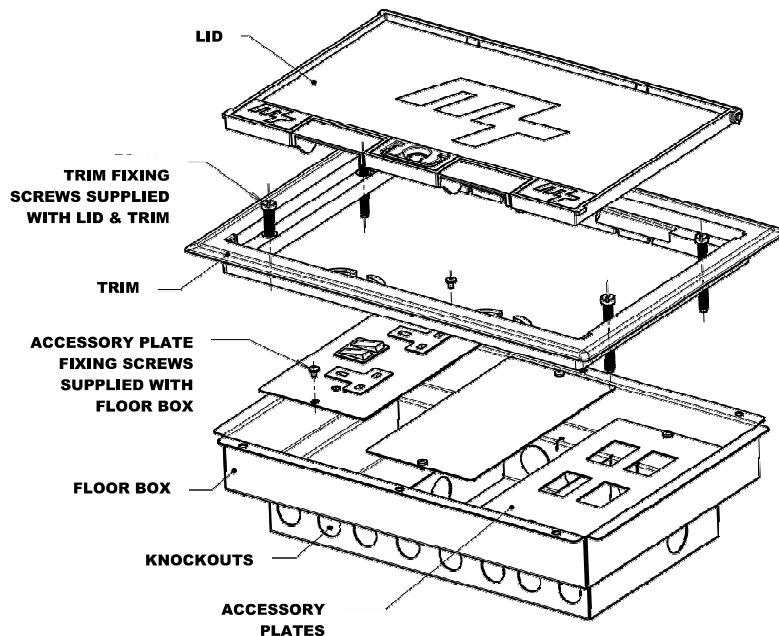
INSTALLATION INSTRUCTIONS

Note: In accordance with current IEE wiring regulations, assembly and connection is to be carried out by a qualified electrician or other competent person.

1. Cut aperture in raised floor to dimensions shown.
2. Remove lid and trim from box.
3. If additional services are to be installed remove knockouts from box as required.
4. Feed cable through the selected knockout. Connect any conduit to the floor box using locknut and washer.
5. **CONDUIT MUST BE BONDED TO EARTH**
6. Lower box into floor aperture.
7. Using box as template drill fixing holes in floor.
8. Fasten down using No.8 CSK self-tapping screws or similar.
9. Terminate the accessories and fasten plates into box with screws supplied.
10. Cut surrounding carpet to suit box and aperture. Retain cut piece for lid recess.
11. Cut and fit carpet to lid. Reassemble lid and trim and fix to box using supplied screws.
12. If using data knockouts in base of box, ensure grommet (not supplied) is fitted around all open edges to protect cable insulation.

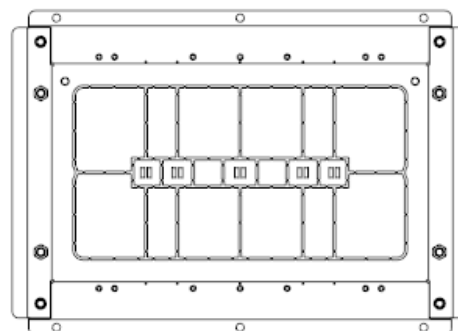


- Carpet tile cut size for lid = 305mm x 170mm
- Lid recess to suit 6mm thick carpet tiles
- Box Depth = 82mm



Important:

- The Lid Is Designed To Be Self-Closing Under Its Own Weight And Therefore Must Be Supported When Open.
- Check Plug Clearance Before Closing Lid



DATA KNOCKOUTS FOR CAT6 AND ABOVE

MARSHALL-TUFFLEX

Raised Floor Box



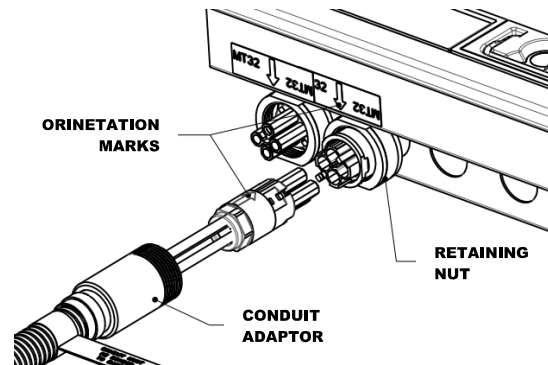
UK OWNED
UK MANUFACTURER



INSTALLATION INSTRUCTIONS

- **MT32 Connection to 507 Tap-off**

If floor box is fitted with MT32 connectors. It is recommended before fitting in floor attach the couplers (black to white) by first aligning the coupler marks as shown, push the couplers together and after confirming they are latched in position. Screw retaining nut to conduit adaptor.



- **Optional Sub-frame for - Fitting and adjustment.**

Remove lid and trim from box.

Drop frame in to box lining up screws with clinch nuts in the four corners.

Screw the frame down in stages so that each corner is not over stressed. The edge of the support frame will sit flush to the accessory plate mounting face.

Remove lid from trim and fit trim on box. Adjust the corner screws through the trim corner holes to compensate for carpet / tile thickness and irregularities.

Fix trim to box and reassemble lid.

- **Lid Removal.**

To remove Lid from Trim, use large flat bladed screw driver, insert blade mid-way along lid short edge and lever up.

Important: lid must be closed position to remove.

