

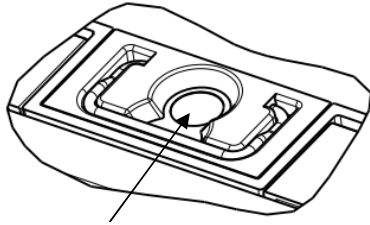
MARSHALL-TUFFLEX

Raised Floor Box Lock

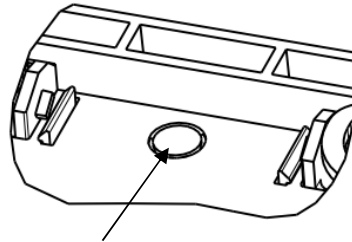
INSTALLATION INSTRUCTIONS



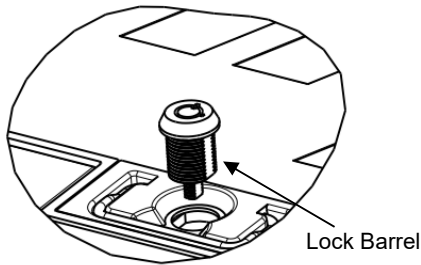
UK OWNED
UK MANUFACTURER



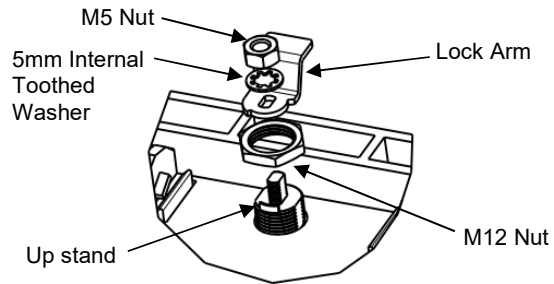
Carefully drill through handle moulding a 12mm hole taking care not to damage load plate underneath



Remove knock out on underside of lid.



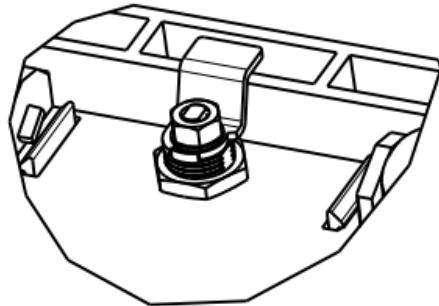
Inset Lock Barrel through 12mm hole.



Fit M12 nut to barrel and tighten. Note up stand should be away from the moulding wall.

Fit Lock Arm over spigot.

Fit toothed washer then M5 nut on to spigot and tighten



Assembled Lock