

MARSHALL-TUFFLEX

Double Sided Powerpole

INSTALLATION INSTRUCTIONS



UK OWNED
UK MANUFACTURER

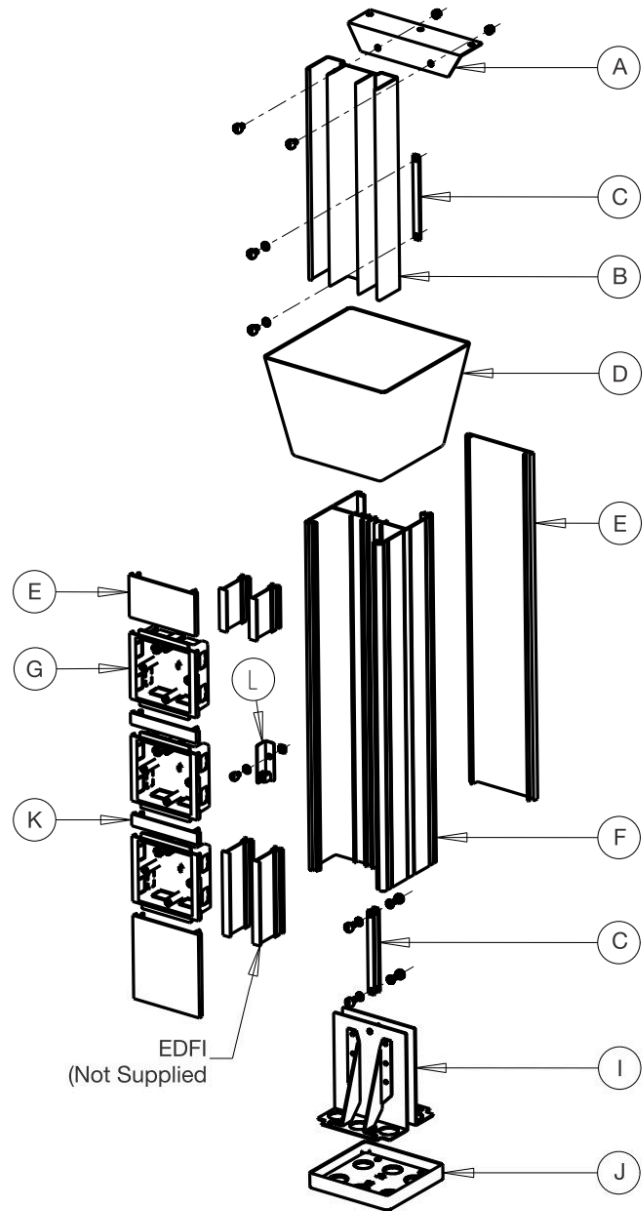
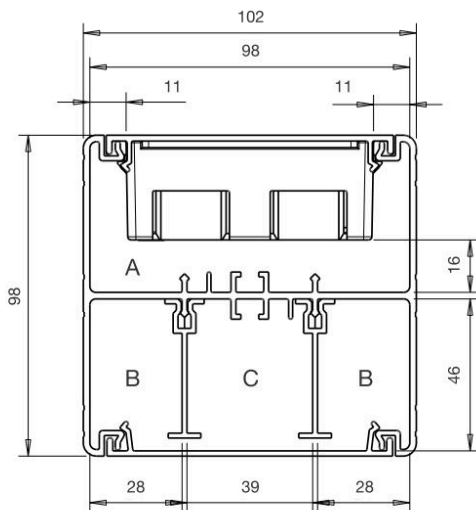


Firstly check contents against list:

Code	Description	Quantity
PP36001	250mm Adj. Slide Kit	1 pack
PP36002	1150mm Adj. Slide Kit	1 pack
PowerPole Kit Contents:		
A	PPFB2 Fixing Bracket	1
B	PHAS1 or 2 *Adjusting Slide	1
C	PPSN1 Sliding Nut	3
D	PPTC1 Top Cover (white only)	1
E	PL1 Lid 3600mm	2
F	PPMB1 Pole 3600mm	1
G	ESSB1 Single Gang Box	6
H	PPBF3 Base Foot (Metal)	1 pair
J	PPBF1 Base Foot (white only)	1
K	ES1 Spacing Cover	5
L	PPBT1 16mm Bonding Terminal Ass.	1
PPF1	Fixing Kit	1
Fixing Kit Contents:		
	M5 Lock Washer	6
	M5 Nyloc Nuts	2
	M5 10mm Screws	8

*The PowerPole is suitable for both solid and suspended ceiling applications up to 3.6 metres high. An alternative adjusting slide which can be extended to one metre is available for additional heights within the ceiling void. PHAS1 is the adjustable slide for the PP36001, PHAS2 is the adjustable slide for the PP36002.

1400mm Extension Kits are also available.



Dimensions and Cable Capacities

A = 2017 sq mm total area 45% space factor = 907 sq mm.

Without Accessory Box

A = 4284 sq mm total area 45% space factor = 1927 sq mm.

B = 1148 sq mm total area 45% space factor = 516 sq mm.

C = 1547 sq mm total area 45% space factor = 696 sq mm.

- 1 Measure the height from the floor to the ceiling slab and subtract 50 mm from this figure. Cut the PowerPole (F) to this length and deburr (see diagram 1).

NOTE – The uncut end of the PowerPole must be used as the base of the PowerPole.

- 2 Assemble bonding terminal (L) into the pole channel.
- 3 Attach the elongated nuts (C) to the metal base foot assembly (I). Insert nuts (C) within the channel either side of the pole (see diagram 2).
- 4 Slide the top cover (D) over the top of the pole to a point below its final position.
- 5 Assemble the top fixing bracket (A) and the elongated nut (C) to the adjusting slide (B) and insert into the pole. Locate the PowerPole into the base foot (J) (do not secure at this stage). Adjust the slider to the ceiling, mark the fixing holes, having first checked for vertical alignment and correct orientation of sockets (see diagram 3).
- 6 Drill and secure bracket (A) to the ceiling using three 2" x No.10 screws or similar.
- 7 Using the base foot (J) fixing holes as a template drill and check vertical alignment securing the base foot with 2" x No.10 screws.

- 8 Determine the location of the socket outlet boxes (G) and clip them in where required. If it is required for the socket boxes to be placed immediately next to each other, a lid spacer (K) should be placed in between the boxes to allow sufficient clearance for the accessories on assembly.

- 9 If required cut the dividing fillet EDF1 (not supplied) to the required length ensuring clearance for any accessory boxes and clip into position.

- 10 Cut the lid (E) to the required lengths ensuring the ends are shrouded within the top cover (D) and base foot (J). Position and then snap the lid into place.

NOTE – The PP36001 will provide a total adjustment height to 3.7 metres. For suspended ceilings between 3.7 metres and 4.6 metres high the PP36002 must be ordered. For visible ceiling slabs above 3.7metres use 1400mm extension kit.

