

MARSHALL-TUFFLEX

Power and Data Desk Modules



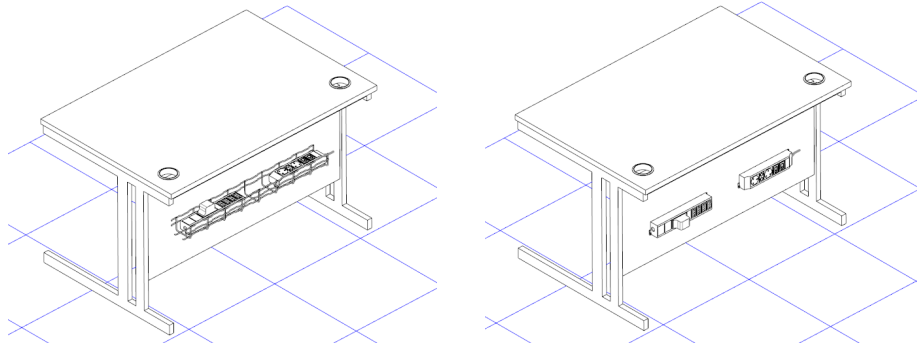
UK OWNED
UK MANUFACTURER



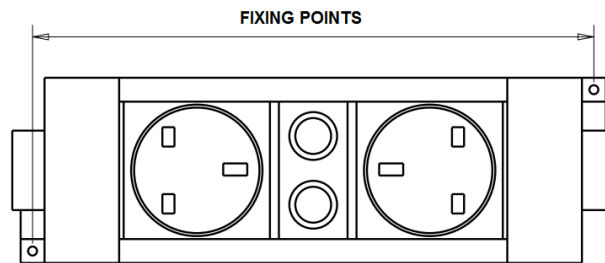
INSTALLATION INSTRUCTIONS

Fixing

Can be used in a cable tray or mounted directly to the desk.



Each unit is fitted with 2 fixing points at either end of the module for ease of mounting and securing the unit in a fixed position. Screw size: No4 x 3/4 Woodscrew should be used - It is recommended not to over tighten the screws or use an impact driver as this may damage the case

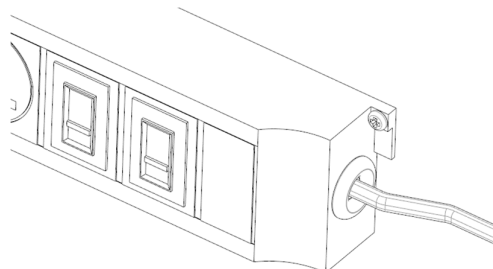


Data and Multimedia

Units with data facilities are fitted with 2 or 4 blank LJ6 6C apertures and can be fitted with data or multimedia modules. Refer to catalogue for full range and contact details of Sales / Technical.

Units fitted with data facilities include a segregation plate that is fixed into the chassis to produce a separate enclosed area within the body of the unit.

Data cables can be fed into the units by way of a 20mm flexible plastic conduit, forming a protected umbilical, or as individual plain cables secured by a soft compression gland, at the opposite end to the power entry.



Earth Bonding

All units are supplied with a 150mm long exterior earth lead for bonding to table metal work.

Underfloor to Desk

In accordance with current IEE UK Wiring Regulations, assembly and connection is to be carried out by a Skilled person.

Ensure power is off before connecting tap-off to desk unit MT32 connector

MT32 connectors are keyed to prevent misalignment and incorrect connections between 3 and 4 poles

