

MARSHALL-TUFFLEX

MECB75 Earth Rod Box



UK OWNED
UK MANUFACTURER



INSTALLATION INSTRUCTIONS

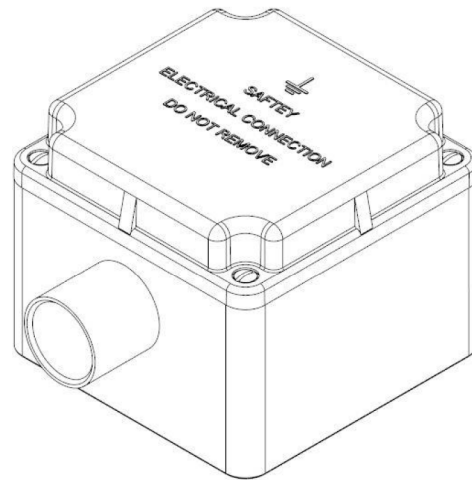
In accordance with current IEE Wiring Regulations & the electricity safety, quality and continuity regulations, assembly and connection is to be carried out by a skilled persons.

PLANNING INSTALLATION

Establish layout, paying attention to; direction of changes, feed positions & component spacing.

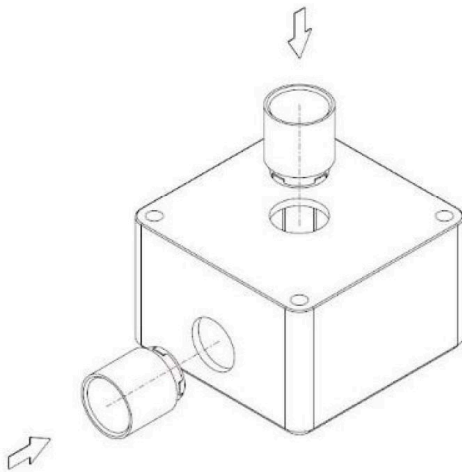
DISPOSAL INSTRUCTIONS

The product and packing should be disposed of via standard civic amenity facilities.



INSERTING SPOUTS

Remove spouts from bag within box,
Aligned the spouts with holes in box & push into place
If to much resistance tool maybe required
After insertion pull on spout to ensure full engagement.



ATTACHING LID

After installing earth rod & cables as per supplier's instructions fix lid to box.
Remove screws from bag within box,
Aligned the lid onto the box
Attach lid to box with 4 screws using the torque value of 0.8Nm.

