

MARSHALL-TUFFLEX

Power and Data Desk Modules

INSTALLATION INSTRUCTIONS



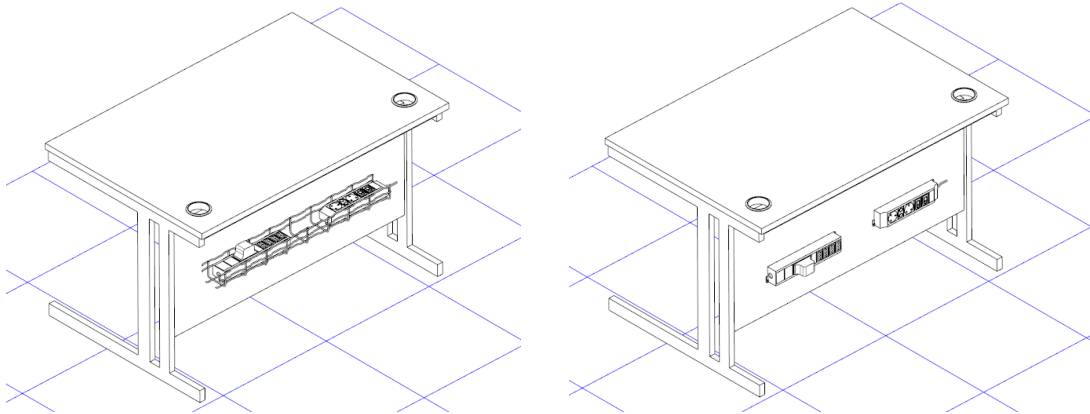
UK OWNED
UK MANUFACTURER



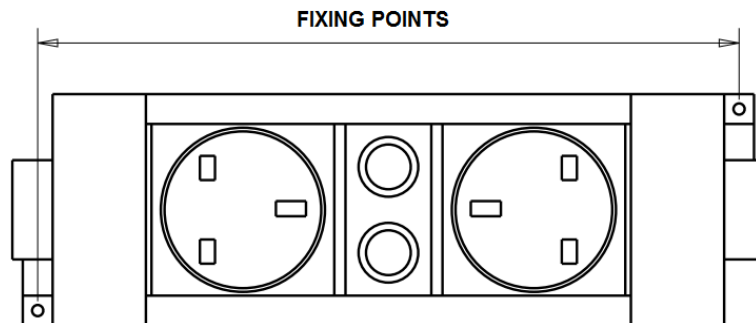
In accordance with current IET wiring regulations BS 7671, assembly and connection is to be carried out by a qualified electrician or other competent person. In addition, when installing electrical products, personal protective equipment must meet the current version of the Personal Protective Equipment at Work Regulations.

Fixing

Can be used in a cable tray or mounted directly to the desk.



Each unit is fitted with 2 fixing points at either end of the module for ease of mounting and securing the unit in a fixed position. Screw size: No4 x 3/4 Woodscrew should be used - It is recommended not to over tighten the screws or use an impact driver as this may damage the case

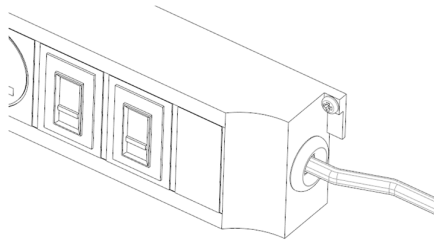


Data and Multimedia

Units with data facilities are fitted with 2 or 4 blank LJ6 6C apertures and can be fitted with data or multimedia modules. Refer to our catalogue/website for full range or contact Sales/Technical for details.

Units fitted with data facilities include a segregation plate that is fixed into the chassis to produce a separate enclosed area within the body of the unit.

Data cables can be fed into the units by way of a 20mm flexible plastic conduit, or can be secured by a soft compression gland, at the opposite end to the power entry.



Earth Bonding

All units are supplied with a 150mm long exterior earth lead for bonding to table metal work.