

MARSHALL-TUFFLEX

32mm Conduit Junction Box Guide



UK OWNED
UK MANUFACTURER

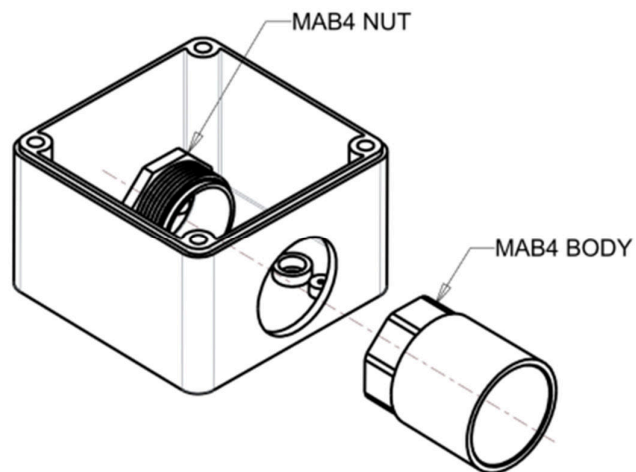
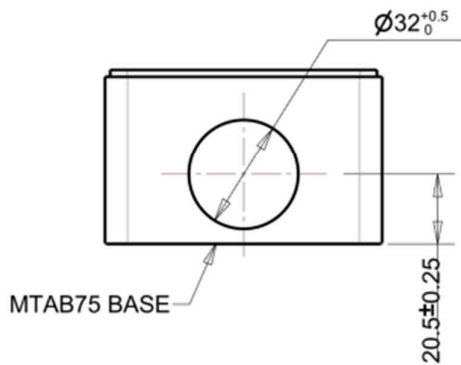


INSTALLATION INSTRUCTIONS

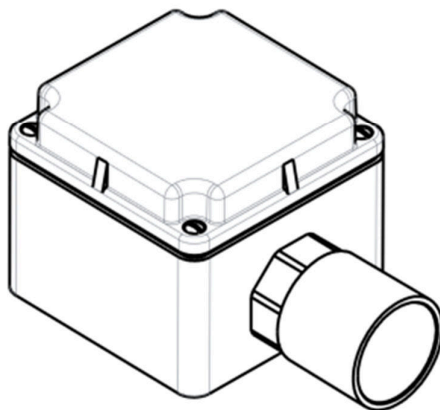
The following arrangement is recommended for 32mm Conduit Box.

Using Marshall-Tufflex Ltd moulded enclosure (MTAB75)

1. DRILL HOLE IN FACE OF BOX



2. ASSEMBLY MAB4 PASSING NUT THROUGH HOLE AND TIGHTENING BODY ONTO NUT. HAND TIGHTEN



20.5mm height of hole from base is important to reduce any strain on conduit when fixed with saddle straps.

Box is suitable for terminal, through, angle, tee and 4-way configurations.